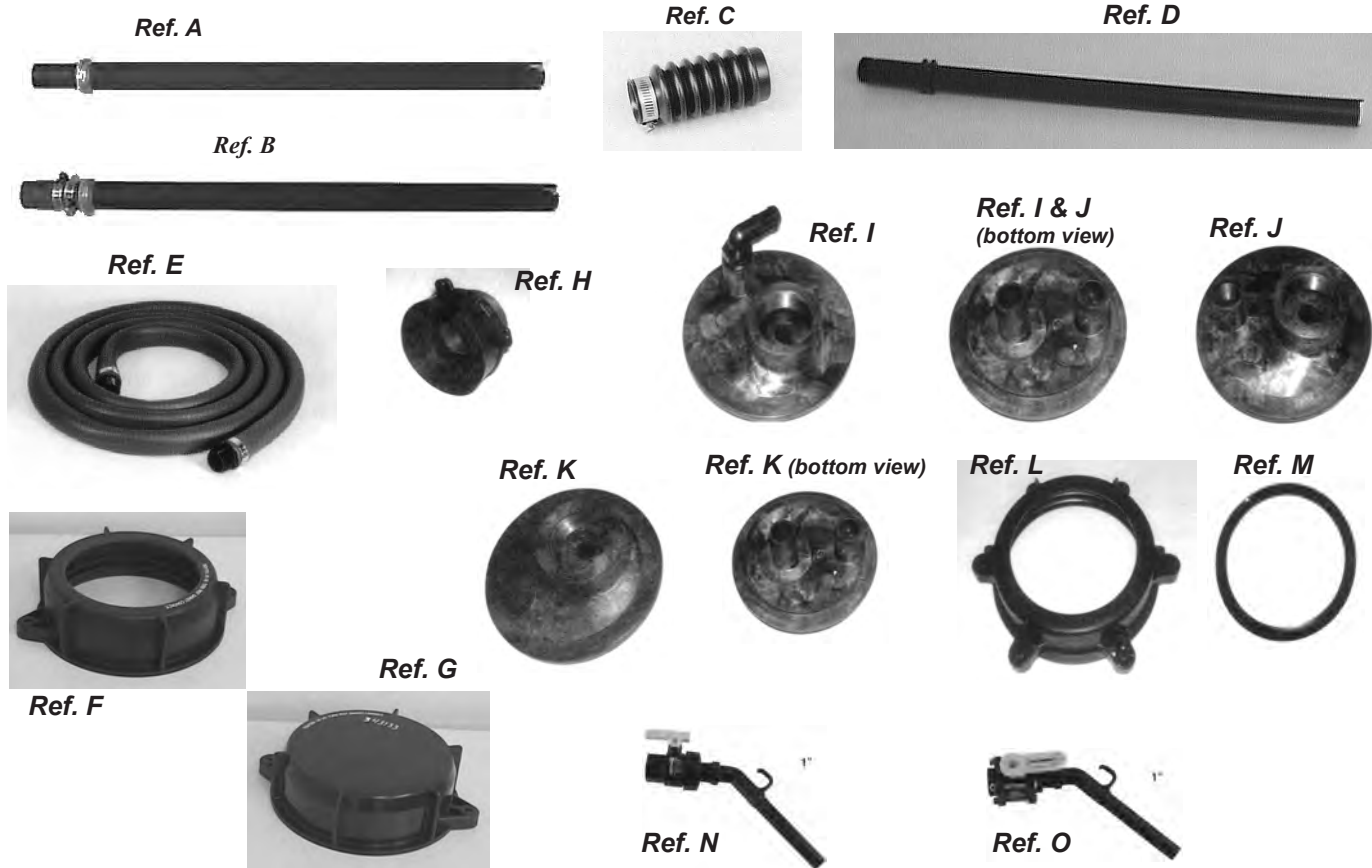


# Accessories for Chemical Pumps



NS = Not Shown

Ref. No.	Part No.	Description
<b>A</b>	<b>XTUBE-TV</b>	Dip Tube w/ 1" MPT- extendable 26" to 47" w/ Viton
<b>B</b>	<b>XTUBE-E</b>	Static Dip Tube w/ 3" Flex connector- extendable 26" to 47" w/ EPDM
<b>B</b>	<b>XTUBE-V</b>	Static Dip Tube w/ 3" Flex connector- extendable 26" to 47" w/ Viton
<b>(A/B)</b>	<b>DD6P-33EPDM</b>	3" Flex Connector for Static Dip Tubes- EPDM
<b>C</b>	<b>B-01ASSY</b>	Bellows Foot Assy. (Molded foot included)
<b>D</b>	<b>F1855</b>	Adjustable Poly Dip Tube- 23" - 41"
<b>E</b>	<b>110094-1</b>	1" x 12' Chemical Hose- 1" MPT steel ends
<b>F</b>	<b>343134</b>	Gem Cap Adapter- DD6 (7.5" opening)
<b>G</b>	<b>343133</b>	Gem Cap- Solid cap (7.5" opening)
<b>NS</b>	<b>343137</b>	Gem Cap- Adapter (7.5" opening) with 2" FNPT port
<b>NS</b>	<b>331157</b>	Gem Cap Gasket- EPDM
<b>NS</b>	<b>DD6P-45</b>	6-Hole Mount Gasket for DD6 pump- EPDM foam gasket
<b>NS</b>	<b>DD6P-45-02</b>	6-Hole Mount Gasket for DD6 pump- Solid EPDM rubber gasket
<b>NS</b>	<b>DD6P-45-13</b>	13-Hole Mount Gasket for DD6 pump- EPDM foam gasket
<b>H</b>	<b>PH-25</b>	Bung Adapter- 2" MPT x 2" FPT with 1" FPT center for dip tube
<b>I</b>	<b>SPA700RA</b>	Adapter Plate- 7.5" with 2" FPT port & recirc. port w/check valve & 3/4" hose barb elbow
<b>J</b>	<b>SPA700R</b>	Adapter Plate- 7.5" with 2" FPT port & 3/4" FPT port open
<b>K</b>	<b>SPA700N</b>	Adapter Plate- 7.5" with 2" FPT port only
<b>L</b>	<b>SPAN</b>	Cap for 7.5" Adapter Plates
<b>M</b>	<b>SPA700G</b>	EPDM tank Gasket for Adapter Plates- 5/16" thick with adhesive
<b>N</b>	<b>UVA100FP</b>	1" Union Style Hose End Valve w/ 45 degree spout
<b>O</b>	<b>VA100</b>	1" Bolted Style Hose End Valve w/ 45 degree spout

IA: 1-800-779-7979    NE: 1-800-445-9110    MO: 1-800-889-6161    KS: 1-800-445-9110    WI: 1-800-523-2350    MN: 1-800-525-7919  
 MANVELL, ND: 1-800-582-4269    GARRISON, ND: 1-888-483-7669    SD: 1-800-995-1943

# DURA PRODUCTS AG CHEMICAL CHART

**D**

COMPOUND	EPDM	Vitour®	Silicone	COMPOUND	EPDM	Vitour®	Silicone
2,4-D Ester		●		Lexar® EZ	●		
Accord & Accord XRT II	●	●	●	Liberty		●	
Atrazine	●	●		Lorsban 4E		●	
Balance Flexx	●	●		Lorsban Advanced		●	
Callisto® 480SC	●			Lumax® EZ	●		
Cappreno	●	●		Matador		●	
Degree Xtra®	●	●		Max-In® Ultra ZMB	●	●	
Dicamba/Xtendimax	●			MSO, Crop Oil, Oil Based		●	
DiFlexx Duo	●	●		Nitrogen based		●	
Duramax, Durango	●	●	●	N-Serve 24		●	
Engenia	●			Parity		●	
Enlist Duo	●	●	●	Prosaro	●	●	
EverGol	●	●		RAXILPro	●	●	
Foliars		●		Rely 280	●	●	
ForeFront	●			Resicore			●
FullTime® NXT		●		Roundup®	●	●	
Fungicides		●		Shredder™ E-99		●	
Garlon 3A	●		●	Stratego	●		
Gaicho 600	●	●		Stratego YLD	●		
Gramoxone/Paraquat		●		Stylet-Oil		●	
Grazon P+D	●			SureStart® & SureStart II			●
GrazonNext	●			Surpass EC	●		●
Halex® GT	●			Tacoma		●	
Huskie		●		TopNotch	●		
Instinct®			●	Tordon 22K	●		
Keystone			●	Warrant/Paraquat		●	
Keystone LA			●	Wolverine AdvANCED		●	
Laudis	●	●					

The Dura Products Chemical Compatibility Chart **should be considered as a guide only** due to the many variables which may affect the compatibility of materials. This guide is based on the most recent information obtained from a variety of suppliers and chemical producers and is believed to be accurate. Actual decisions on materials used need to be tested and evaluated by the customer for each specific application. The responsibility of proper chemical compatibility of equipment and material used is the full responsibility of the customer. Dura Products does not warrant product damaged by non-compatibility.



**DURA PRODUCTS**  
Technology with Lasting Value

IA: 1-800-779-7979    NE: 1-800-445-9110    MO: 1-800-889-6161    KS: 1-800-445-9110    WI: 1-800-523-2350    MN: 1-800-525-7919  
MANVELL, ND: 1-800-582-4269    GARRISON, ND: 1-888-483-7669    SD: 1-800-995-1943

# DuraMeter™ & Dura-Pump™



DURA PRODUCTS  
Technology with Lasting Value

DuraMeter™ features a moisture-sealed construction so the electronic circuit is impervious to moisture. It is designed for durability and can be mounted for in-line flow, or plumbed in at the pump. DuraMeter™ is easy to operate and calibrate with menu driven software. The main screen provides the amount dispensed, a battery life indicator, tracks batches, and inventory totals. DuraMeter™ has a backlight for low light conditions, is battery operated with two AAA batteries, and has an accuracy of +/- 0.5%. Suitable for most agricultural chemicals. DuraMeter™ features a 2-year warranty.

Meter with EPDM Seals Part No. **DP-3000E** Price: **\$232.50 NET**  
 Meter with Viton Seals Part No. **DP-3000V** Price: **\$240.00 NET**

Faceplate replacement will also fit SEM-10 meters.  
 Part No. **DP-MFP01** Price: **\$195.71**



The Dura-Pump™ is a self-priming, diaphragm pump that can be run dry without damage. It has an internal bypass, and is easily field repairable. The Dura-Pump™ suction port is configured with a 2" male NPT x 1" female NPT for easy plumbing capabilities. The discharge port is a 1" female NPT.

Dura-Pump™ features:

- 2-year warranty.
- For use with agricultural chemicals
- Ability to handle low and high viscosity liquids
- Pumps up to 15 gpm
- 12-volt DC motor (also available in 110 volt AC motor) with 20' power cable with alligator clips included.

Dura-Pump only (incl. cables & battery clips) \_\_\_\_\_  
 Part No. **DP-4012E** EPDM Seals, 12-Volt Price: **\$407.50 NET**  
 Part No. **DP-4012V** Viton Seals, 12-Volt Price: **\$432.50 NET**  
 Part No. **DP-4015E** EPDM Seals 110 Volt Price: **\$457.50 NET**  
 Part No. **DP-4015V** Viton Seals 110 Volt Price: **\$480.00 NET**



**Dura-Pump Top Unload:** Is designed as a top unload configuration allowing for the pump to be vertically threaded into a standard 2" NPT bung. Included is a telescoping dip tube, 1" x 12' EPDM discharge hose with hose barbs and hose clamps, ball valve nozzle, and meter (optional).

Kit Part No. **DPT-4012E** 12-volt pump, EPDM seals, without meter Price: **\$475.00 NET**  
**DPTM-4312E** 12-volt pump, EPDM seals, with meter Price: **\$706.25 NET**  
**DPT-4012V** 12-volt pump, viton seals, without meter Price: **\$505.00 NET**  
**DPTM-4312V** 12-volt pump, viton seals, with meter Price: **\$741.25 NET**

**110-volt kits also available**



**Dura-Pump Bottom Unload:** Is designed as a bottom unload configuration allowing for the pump to be mounted to the bottom 2" valve. Included ia a 2" cam lock, 1" x 12' EPDM discharge hose with hose barbs and hose clamps, ball valve nozzle, and meter (optional).

Kit Part No. **DPB-4012E** 12-volt pump, EPDM seals, without meter Price: **\$481.25 NET**  
**DPBM-4312E** 12-volt pump, EPDM seals, with meter Price: **\$712.50 NET**  
**DPB-4012V** 12-volt pump, viton seals, without meter Price: **\$511.25 NET**  
**DPBM-4312V** 12-volt pump, viton seals, with meter Price: **\$747.50 NET**

**110-volt kits also available**

IA: 1-800-779-7979 NE: 1-800-445-9110 MO: 1-800-889-6161 KS: 1-800-445-9110 WI: 1-800-523-2350 MN: 1-800-525-7919  
 MANVELL, ND: 1-800-582-4269 GARRISON, ND: 1-888-483-7669 SD: 1-800-995-1943





**DURA PRODUCTS**  
Technology with Lasting Value

# DURA-ABS™ Auto-Batch System

- Intuitive interface allows for the selection of manual or automatic operation with the flip of a switch
- High-flow pump with up to 15 GPM flow rate
- Optimized for repeatable batching; returns to the last volume amount dispensed
- 100% moisture sealed circuitry
- Includes Dura-Meter™ with impact resistant Lexan™ faceplate
- Available in 12 Volt or 110 Volt, and EPDM or Viton® options
- Features a 2 year warranty

**D**



## How It Works:

1. Select the Volume Desired
2. Press Start
3. The Pump Will Begin To dispense Fluid and Automatically Shuts Off When Complete



EPDM Auto-Batch	Viton Auto-Batch
DPABS-4312E (12-Volt) <b>\$948.75 NET</b>	DPABS-4312V (12-Volt) <b>\$991.25 NET</b>
DPABS-4315E (110-Volt) <b>\$1005.00 NET</b>	DPABS-4315V (110-Volt) <b>\$1051.25 NET</b>



Use multiple units to create an automated process for dispensing into an inductor cone or use individual unit for simple applications.

- **Reduce human error through automation**
- **Assure repeatable dispensing and improve spray load efficiency**
- **Dura-ABS delivers consistently and effortlessly**

IA: 1-800-779-7979    NE: 1-800-445-9110    MO: 1-800-889-6161    KS: 1-800-445-9110    WI: 1-800-523-2350    MN: 1-800-525-7919  
MANVELL, ND: 1-800-582-4269    GARRISON, ND: 1-888-483-7669    SD: 1-800-995-1943

## Dura-Pump™ Easy Caddy



The Dura-Pump Easy Caddy frame assembly provides the ability to quickly attach the pump system to the side of the frame of the IBC/ cage tank. The system includes a 1" x 12' EPDM discharge hose, 1" x 18" EPDM suction hose, 2" cam lock, with hose barbs and hose clamps, and ball valve nozzle, and meter (optional). The pump is self priming, can be run dry without damage, has an external by-pass, and is easily field repairable.

Kit Part No. _	Price:
<b>DPE-4012E</b> 12-volt pump, EPDM seals, without meter	<b>\$531.25 NET</b>
<b>DPEM-4312E</b> 12-volt pump, EPDM seals, with meter	<b>\$755.00 NET</b>
<b>DPE-4012V</b> 12-volt pump, viton seals, without meter	<b>\$563.75 NET</b>
<b>DPEM-4312V</b> 12-volt pump, viton seals, with meter	<b>\$801.25 NET</b>

**110- volt kits also available**

**D**

## Dura-Pump™ Quick Caddy



The Dura-Pump Quick Caddy frame assembly provides the ability to quickly attach the pump system to the top of the frame of the IBC/ cage tank. The system includes a telescoping dip tube for versatility, 1" x 12' EPDM discharge hose, 1" x 5' EPDM suction hose, 2" cam lock, with hose barbs and hose clamps, ball valve nozzle and meter (optional). The pump is self priming, can be run dry without damage, has an internal bypass, and is easily field repairable.

Kit Part No. _	Price:
<b>DPQ-4012E</b> 12-volt pump, EPDM seals, without meter	<b>\$597.50 NET</b>
<b>DPQM-4312E</b> 12-volt pump, EPDM seals, with meter	<b>\$828.75 NET</b>
<b>DPQ-4012V</b> 12-volt pump, viton seals, without meter	<b>\$626.25 NET</b>
<b>DPQM-4312V</b> 12-volt pump, viton seals, with meter	<b>\$863.75 NET</b>

**110-volt kits also available**

## Dura-Pump Replacement Parts

Part No.	Description	Price
<b>DP-MFP01</b>	Dura Meter Face Plate	<b>\$195.71</b>
<b>DP-G4001A-E</b>	Gasket Kit (EPDM)	<b>\$25.71</b>
<b>DP-G4001A-V</b>	Gasket Kit (Viton)	<b>\$31.43</b>
<b>DP-P4017A-E</b>	Pump Cartridge with o-ring & bottom gasket (EPDM)	<b>\$100.00</b>
<b>DP-P4017A-V</b>	Pump Cartridge with o-ring & bottom gasket (Viton)	<b>\$108.57</b>
<b>DP-H4001A-E</b>	Bottom Housing Kit with bottom gasket (EPDM) and screws	<b>\$54.29</b>
<b>DP-H4001A-V</b>	Bottom Housing Kit with bottom gasket (Viton) and screws	<b>\$67.15</b>

IA: 1-800-779-7979    NE: 1-800-445-9110    MO: 1-800-889-6161    KS: 1-800-445-9110    WI: 1-800-523-2350    MN: 1-800-525-7919  
 MANVELL, ND: 1-800-582-4269    GARRISON, ND: 1-888-483-7669    SD: 1-800-995-1943



# Transfer Pumps for Diesel Exhaust Fluid (DEF)



Part Number	Description	Price
DEF-2012E	Dura-Pump (only) (12-Volt)	NET \$433.75
DEF-2015E	Dura-Pump (only) (110 Volt)	NET \$447.50

**D**



Part Number	Description	Price
DP-3000D	DEF Dura Meter (DEF use only)	NET \$171.25



The **Dura-Pump™ DEF Top Unload** is designed as a top unload configuration allowing for the pump to be vertically threaded into a standard 2" NPT bung. Included is a telescoping dip tube, 3/4" x 15' EPDM discharge hose with hose barbs and hose clamps. Manual and Auto Shut-off nozzle available. The pump is self priming, can be run dry without damage, has an internal bypass, and is easily field repairable. Can get with or without meter. Features a 2 year warranty.

Part Number	Description	Price
DEFT-2012ME	DEF Top Unload w/o Meter-12 Volt, Manual Nozzle	NET \$461.25
DEFT-2012AE	DEF Top Unload w/o Meter-12 Volt, Auto Shut-off Nozzle	NET \$558.75
DEFT-2015ME	DEF Top Unload w/o Meter-110 Volt, Manual Nozzle	NET \$475.00
DEFT-2015AE	DEF Top Unload w/o Meter-110 Volt, Auto Shut-off Nozzle	NET \$573.75



The **Dura-Pump™ DEF Easy-Caddy Frame Assembly** provides the ability to quickly attach the pump system to the frame of the IBC/cage tank. The system includes a 3/4" x 15' EPDM discharge hose, 3/4" x 14' EPDM suction hose, 2" cam lock, with hose barbs and hose clamps. Available with manual or auto shut-off nozzle. The pump is self priming, can be run dry without damage, has an internal bypass, and is easily field repairable. Can get with or without meter. Features a 2 year warranty.

Part Number	Description	Price
DEFE-2012ME	DEF Easy Caddy w/o Meter-12 Volt, Manual Nozzle	NET \$511.25
DEFE-2012AE	DEF Easy Caddy w/o Meter-12 Volt, Auto Shut-off Nozzle	NET \$608.25
DEFE-2015ME	DEF Easy Caddy w/o Meter-110 Volt, Manual Nozzle	NET \$525.00
DEFE-2015AE	DEF Easy Caddy w/o Meter-110 Volt, Auto Shut-off Nozzle	NET \$621.25

IA: 1-800-779-7979    NE: 1-800-445-9110    MO: 1-800-889-6161    KS: 1-800-445-9110    WI: 1-800-523-2350    MN: 1-800-525-7919  
 MANVELL, ND: 1-800-582-4269    GARRISON, ND: 1-888-483-7669    SD: 1-800-995-1943

# SOTERA Systems Chemical Pumps



**SS420/ SS460/ SS415** chemical transfer pumps adapt to 2" NPT. Features: Up to 15 GPM capacity; Pumps thick or thin chemicals; Can pass particulates up to .1" diameter; 2" bung adapter included. Available 12-volt DC or 110 volts AC motor. 12-volt models come with battery cable and clips.

Part No.	Description	Price
<b>SS420B</b>	12-volt Pump w/ 1" x 12' hose, nozzle valve & suction pipe <b>NET</b>	<b>\$551.29</b>
<b>SS460B</b>	110 volt Pump w/ 1" x 12' nose, nozzle valve & suction pipe <b>NET</b>	<b>\$551.29</b>
<b>SS415B</b>	12-volt Pump only w/ 2" tank adapter <b>NET</b>	<b>\$494.54</b>



**Chemtraveller Pumps SS435/ SS465** portable chemical pump with frame. Features: Up to 15 GPM capacity; Pumps thick or thin chemicals; Can pass particulates up to .1" diameter; Comes with 1" x 14' hose w/ nozzle valve and meter, 1" x 9' suction hose. Available 12-volt DC or 110 volt AC motor. 12-volt models come with battery cable and clips.

Part No.	Description	Price
<b>SS435B</b>	12-volt Chemtraveller w/ 825 Digital Meter <b>NET</b>	<b>\$919.79</b>
<b>SS465BX713</b>	110 volt Chemtraveller wo/ Meter <b>NET</b>	<b>\$849.76</b>



SS445

**SS445 Mix-N-Go Pump kit** fits Snyder Gem cap applications. Features: Up to 15 GPM capacity; Pumps thick or thin chemicals; Can pass up to .1" diameter particulates; Integral liquid recirculation. Comes with a 825 digital meter, 1" x 12' hose w/ a nozzle valve, suction pipe; 12-volt motor with 20' battery cable and clips. Gem cap adapter is included.

Part No.	Description	Price
<b>SS445B</b>	12-volt Pump kit w/ meter <b>NET</b>	<b>\$749.11</b>



SS417

**SS417 Barrel Pump kit** with threaded adapter and suction tube. Features: Up to 15 GPM capacity; Pumps thick or thin chemicals; Can pass up to .1" diameter particulates; 12-volt motor with 20' battery cable and clips. Kit includes a 1" x 12' hose with a nozzle valve and a suction pipe.

Part No.	Description	Price
<b>SS417B</b>	12-volt Barrel Pump kit <b>NET</b>	<b>\$500.47</b>



SS419X665

**SS419/ SS443 12-volt pump kits** for mini bulk tanks. Features: Up to 15 GPM capacity; Pumps thick or thin chemicals; Can pass up to .1" diameter particulates; Adapts to chemical manufacture's tanks. Kits include 1" x 12' hose w/ nozzle valve, suction pipe, tank adapter, 20' battery cable and clips.

Part No.	Description	Price
<b>S419BX665</b>	Pump kit for Monsanto (glyphosate) w/ camlock coupler <b>NET</b>	<b>\$528.71</b>

IA: 1-800-779-7979    NE: 1-800-445-9110    MO: 1-800-889-6161    KS: 1-800-445-9110    WI: 1-800-523-2350    MN: 1-800-525-7919  
 MANVELL, ND: 1-800-582-4269    GARRISON, ND: 1-888-483-7669    SD: 1-800-995-1943

## SOTERA PUMPS and METERS



### Tote-N-Go pumping kit-

Adapts to barrels, totes and caged tanks. Pump has a support bracket with handle so it can sit on a level surface for pumping from the bottom of a tank or it can be turned 90 degrees to attach directly to the top of a tank. Kit includes the basic Sotera 400- 12 volt DC pump which can pump up to 15 gpm of most types of ag chemicals as well as brine solutions, corrosives (such as N-Serve), motor & hydraulic oils and antifreeze. Especially suited for glyphosate and other chemicals that thicken. Will pass particulates up to .10 inch diameter. Also includes a 39" suction hose, 1" x 12 ft. discharge hose with hose end valve and spout, 1" suction tube, 2" female cam lock adapter, 2" buttress thread adapter, a 2" x 1" reducer bushing, 1" hose barbs and hose clamps.

Part No. SS415BX731PG Price: \$568.75 NET



D

### Cage Pump Kit

Part No. SS425B (12VDC) SS470B (120VAC)

Price: \$772.45 NET

Price: \$747.53

**Features:** Flow rate of 13 gallons per minute. 12VDC or 120VAC electric thermal overload protected motor. Santoprene® double diaphragm glass-filled polypropylene housing chemical transfer pump with EPDM seals. Designed for pesticides, fertilizers, mild acids, soaps, and water.

**Individual Packages:** Includes pump with either 12VDC motor (SS425B) and 20' battery cable with clips, and 30-amp fuse or 120VAC motor (SS470B) with a 6' 18AWG by 3-conductor with male type B end. IBC bracket with handle. Bottom tote connection fittings: 1" NPT street elbow, 1" Ball Valve, 2" to 1" reducing bushing, 2" female coupler with female threads - All poly construction. EPDM Hoses: 1" x 39" (suction) and 1" x 12' (discharge). (2) 90 degree flanges on pump for both inlet and outlet. Norwesco Kit Anti-Drip Spout, 1" Nozzle valve with tip.



**Model 825 Electronic Digital Flowmeter Part No. 825 Price: \$1173.60 NET**

- \* Precalibrated
- \* 2-20 GPM capacity
- \* Accurate to +/- .2%
- \* Easy-to-Read Display
- \* Powered by AA batteries
- \* Comes with pocket-sized calibration chart
- \* Compact, can be used at the end of a hose.
- \* Durable construction



**Model 850 Electronic Digital Flowmeter Part No. 850 Price: \$223.20 NET**

- \* Precalibrated
- \* 2-20 GPM capacity
- \* Accurate to +/- .2%
- \* Easy-to-Read Display
- \* Powered by AA batteries
- \* Comes with pocket-sized calibration chart
- \* Air-Sensing ability. Will not read air.
- \* Compact, can be used at the end of a hose.
- \* Durable construction

IA: 1-800-779-7979

NE: 1-800-445-9110

MO: 1-800-889-6161

KS: 1-800-445-9110

WI: 1-800-523-2350

MN: 1-800-525-7919

MANVELL, ND: 1-800-582-4269

GARRISON, ND: 1-888-483-7669

SD: 1-800-995-1943



## Pumps for IBC Cage Tanks



New IBC pump from *Scienco* is a tough and versatile self-priming pump designed for use with intermediate bulk containers. Capable of pumping high and low viscosity fluids as well as suspended solids. Its unique mounting makes it ideal for closed system mixing, transferring and rinsing since the pump never needs to be removed and the container never needs to be opened for these operations. The IBC pump's six piston diaphragm can withstand run-dry conditions without damage. Its durable glass-filled polypropylene housing is lightweight and provides excellent corrosion resistance. The removable drive unit offers reduced costs by enabling multiple units to share the same drive unit. Features include:



- Flows to 9 gpm.
- Pressures to 25 psi.
- Temperatures to 130 degrees.
- Low profile design.
- Unique Slip-in-place discharge port rotates for easy operation.
- Adjustable dip tube.
- Low amperage draw.
- Manual tank vent.
- Pump cover protects pump when not in use.
- Fits tanks with 6" covers.

**D**

Part No. **\_ BC6 PUMP\_** includes: pump, discharge elbow, gasket and dip tube. Price: **\$233.83 NET**

Part No. **\_ BC6 MOTOR\_** includes: drive unit with 12-volt motor, cable w/ battery clips and switch. Price: **\$353.81**

Part No. **\_ BC6 PKG UNIT\_** includes: BC6 PUMP, BC6 MOTOR, X-TUBE-E, discharge hose, hose-end valve w/spout and discharge elbow. Price: **\$453.65 NET**  
Also available as **\_ BC PKG UNIT-V\_** with Viton X-TUBE.



BC6 pump on cage tank.

# Chemical Handling Equipment

**SCIENCO DD6 PUMP-** mounts directly into a mini-bulk container. It will pump low or high viscosity liquids and has an internal recirculating feature for agitation. Flow rate is 7 to 9 GPM. Pump is driven by a separate drive unit that detaches easily. Repair parts are available.

Part No. **\_ DD6 PUMP/CKVLV** \_\_\_\_\_price: **\$231.12 NET**



**SCIENCO DD6 MOTOR-** drive unit for DD6 pump. 12 volt D.C. motor comes with electrical hardware: cable, battery clips and circuit breaker.

Part No. **\_ DD6 MOTOR** \_\_\_\_\_price: **\$277.84 NET**

**DD6 DRIVE Package-** comes with DD6 Motor, electrical hardware, meter, 1" x 12' discharge hose, discharge elbow and valve w/ nozzle.

P/N **\_ DRIVE UNIT PKG-10** is kit with SEM-10 meter \_\_\_\_\_price: **\$702.00 NET**

P/N **\_ DRIVEUNITPKG-10SS** is kit with SEM-10SS meter \_\_\_\_\_price: **\$779.45 NET**

**D**



**SCIENCO SEM-10 METER-** electronic flowmeter allows for three calibration modes. Simple one-touch operation, large display with large buttons. Durable thermoplastic case with 1" inlet and outlet. Accuracy +/- .5% when calibrated with product. Flow rate 2-30 GPM. Viton o-rings. (same meter with EPDM orings available as SEM-10EPDM)

Part No. **\_ SEM-10** \_\_\_\_\_price: **\$186.56 NET**

Part No. **\_ SEM-10EPDM** \_\_\_\_\_price: **\$186.56 NET**



**SCIENCO SEM-10FT METER-** New, in-line flowmeter allows installation at the hose end. Same as SEM-10 but with straight flow design. (same meter is available with EPDM orings as SEM-10FTE)

Part No. **\_ SEM-10FT** \_\_\_\_\_price: **\$186.56 NET**

Part No. **\_ SEM-10FTE** \_\_\_\_\_price: **\$186.56 NET**

**Replacement Electronics for SEM-10 and SEM-10FT**

Part No. **SEM-10 KIT-1** Price: **\$158.36**



**SCIENCO SEM-10SS METER-** Replaces SEM30. Electronic flowmeter allows for three calibration modes. Simple one-touch operation, large display with large buttons. Durable polypropylene/stainless steel/Ryton meter chamber with 1" inlet and outlet. Nylon electronics housing. Exceptional chemical resistance. Accuracy +/- .5% when calibrated with product. Flow rate 2-30 GPM.

Part No. **\_ SEM-10SS** \_\_\_\_\_price: **\$292.60 NET**



**AP-30 AIR PISTON PUMP-** High capacity, up to 30 GPM, continuous duty pumping, air-operated pump. Low maintenance, multi-purpose for herbicides, diesel fuel, gasoline, lube oils, water and other products compatible with pump construction. 1" suction port, 1" outlet port, 1/4" air inlet port, 125 psi max. air pressure, aluminum housing with 304 stainless steel liner, aluminum piston with PTFE piston ring and packing, Nylon valves and stainless steel valve springs and shaft.

Part No. **\_ AP-30 AIR PUMP** \_\_\_\_\_price: **\$674.95 NET**

**Replacement parts available for all pumps and meters.**

IA: 1-800-779-7979

NE: 1-800-445-9110

MO: 1-800-889-6161

KS: 1-800-445-9110

WI: 1-800-523-2350

MN: 1-800-525-7919

MANVELL, ND: 1-800-582-4269

GARRISON, ND: 1-888-483-7669

SD: 1-800-995-1943

147



# CT6 Chemical Pump

**CT6: Designed for Transferring Virtually All Crop Protection Products**

***Highest Flow Rates for Faster Loading***

### Features and Benefits:

- Market -leading rates
- Complete “out of the box” pumping systems
- Self-priming from a dry state
- Multiple configurations for use with caged IBCs, mini bulk tanks and drums
- East to service

### Options:

- Flow rates up to 13gpm (CT6) or 18 gpm (CT6 HF)
- Voltages: 12 volt and 115 volt
- Multiple configurations



**CT6 Pump Only**

12 Volt Pump Only (13gpm)- **Part No.: CT6-1E5BA-000 Price: \$300.00 NET**  
 12 Volt Pump Only (18gpm) High Flow- **Part No.: CT6-3E5BA-000 Price: \$348.24 NET**  
 115 Volt Pump Only- **Part No.: CT6-4E5BA-000 Price: \$354.11 NET**



Horizontal Mounted Kit. Fits tanks with 1” or 2” openings. With SEM-10 meter, 1” x 12’ hose with ball valve & spout and reducer. 12 Volt

(13 gpm pump) **Part No.: CT6-1E5CA-008 Price: \$554.12 NET**  
 (High Flow 18 gpm pump) **Part No.: CT6-3E5CA-008 Price: \$603.53 NET**

**Replacement parts available for all pumps and meters.**

Vertical CT6 Drum Pump Kit: Includes CT6 pump, 2-piece 1” dip tube, 2” bung adapter, and 1” x 12’ discharge hose w/valve & spout.

(13 gpm pump) **Part No.: CT6-1E5BA-003 Price: \$372.53 NET**  
 (High Flow 18 gpm pump) **Part No.: CT6-3E5BA-003 Price: \$421.18 NET**



CT6 Portable Caddy System: Mounted in a tubular stand, this design allows for maximum flexibility when handling multiple containers. The 1” x 12’ suction hose that is included can be adapted to most container fittings. Adapters are not included with this system. Includes SEM-10 meter, 1” x 12’ discharge hose with ball valve & spout.

(13 gpm pump) 12-Volt **Part No.: CT6-1E5DA-000 Price: \$674.12 NET**  
 (High Flow 18 gpm pump) 12-Volt **Part No.: CT6-3E5DA-000 Price: \$722.35 NET**  
 (13 gpm pump) 115-Volt **Part No.: CT6-4E5DA-000 Price: \$752.94 NET**

CT6 Caddy less hoses, ball valve & spout:  
 13 gpm pump) **Part No.: CT6-1E5DA-001 Price: \$643.53 NET**  
 (High Flow 18 gpm pump) **Part No.: CT6-3E5DA-001 Price: \$692.94 NET**

CT6 Caddy les SEM-10 meter  
 13 gpm pump) **Part No.: CT6-1E5DA-002 Price: \$589.41 NET**  
 (High Flow 18 gpm pump) **Part No.: CT6-3E5DA-002 Price: \$637.65 NET**

IA: 1-800-779-7979    NE: 1-800-445-9110    MO: 1-800-889-6161    KS: 1-800-445-9110    WI: 1-800-523-2350    MN: 1-800-525-7919  
 MANVELL, ND: 1-800-582-4269    GARRISON, ND: 1-888-483-7669    SD: 1-800-995-1943



**CT-3E5CA-004**

CT6 Shuttle Pump Systems for Monsanto products. Horizontal mount with pump support and female cam-lever coupler with check lock (FITN-33) and 90 degree elbow. Includes 1" x 12' EPDM hose with ball valve and SEM-10 meter.

12 Volt Pump Kit (HF 18gpm pump) **Part No: CT6-3E5CA-004 Price: \$603.53 NET**

12 Volt Pump Kit (HF 18gpm pump) less meter

**Part No: CT6-3E5CA-007 Price: \$494.12 NET**



**CT-1E5CA-012**



**CT-3E5MA-000**

CT6 Kit Horizontal Mounted, with SPAN cap for tanks with 7.5" male threaded openings. EPDM seal standard (or optional Viton). Includes discharge hose, ball valve & spout, and SEM-10 meter.

No Recirculation:

12 Volt Pump Kit (13gpm pump) **Part No: CT6-1E5CA-012 Price: \$554.12 NET**

12 Volt Pump Kit (HF 18gpm pump) **Part No: CT6-3E5CA-012 Price: \$603.53 NET**

Manual Recirculation Design Pump with Dip Tube:

12 Volt Pump Kit (HF 18gpm pump) **Part No: CT6-3E5MA-000 Price: \$687.06 NET**



**CT6 IBC Cage Pump System**

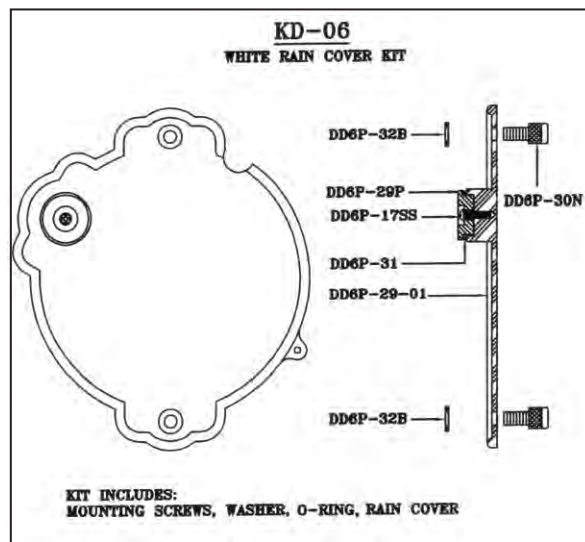
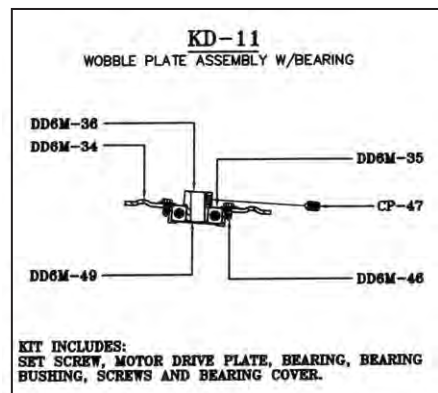
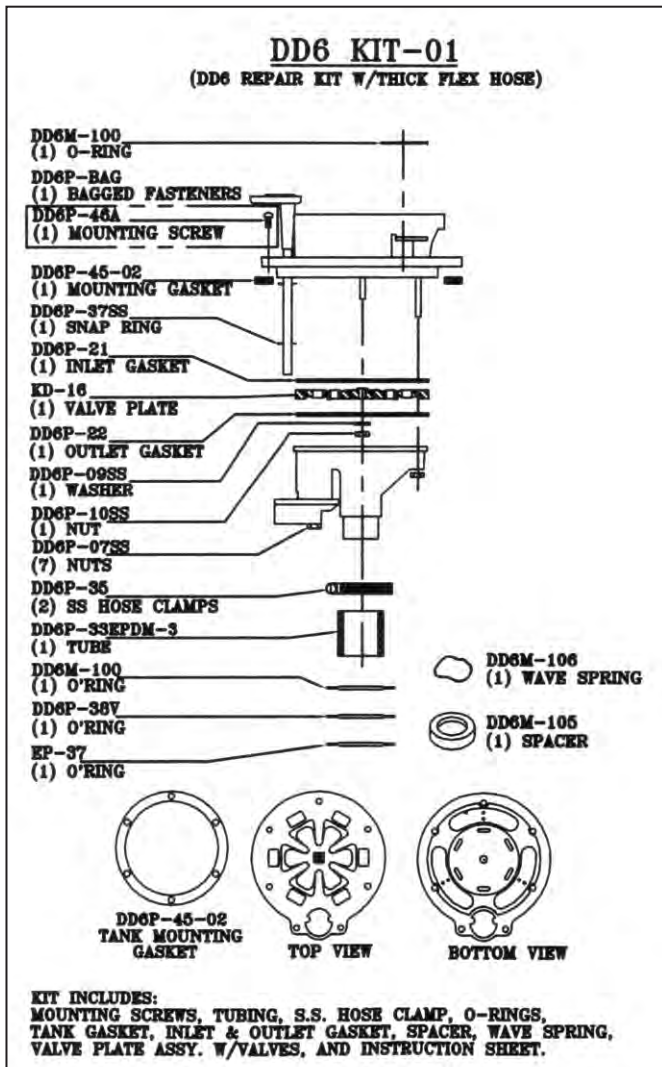
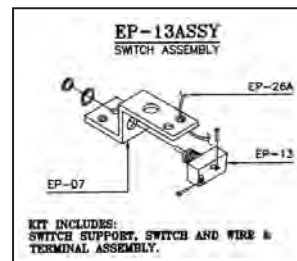
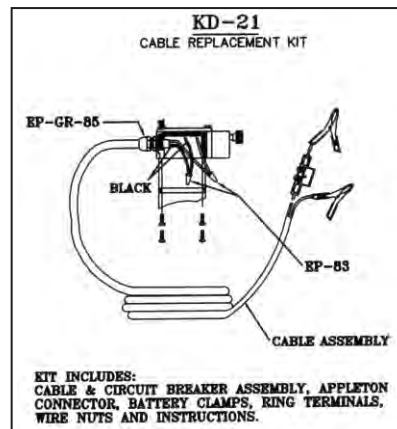
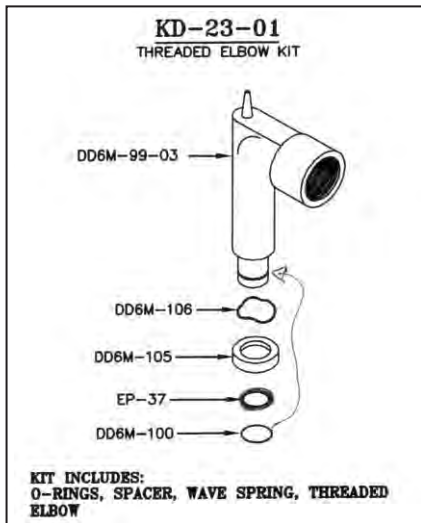
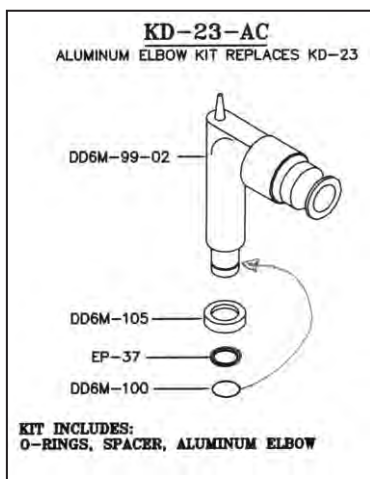
Kit includes: Hose End Meter, Hoses, Nozzle, and Fittings

12 Volt Pump Kit **Part No: CT6-3E5GA-000 Price: \$650.59 NET**

115 Volt Pump Kit **Part No.: CT6-4E5GA-000 Price: \$656.47 NET**

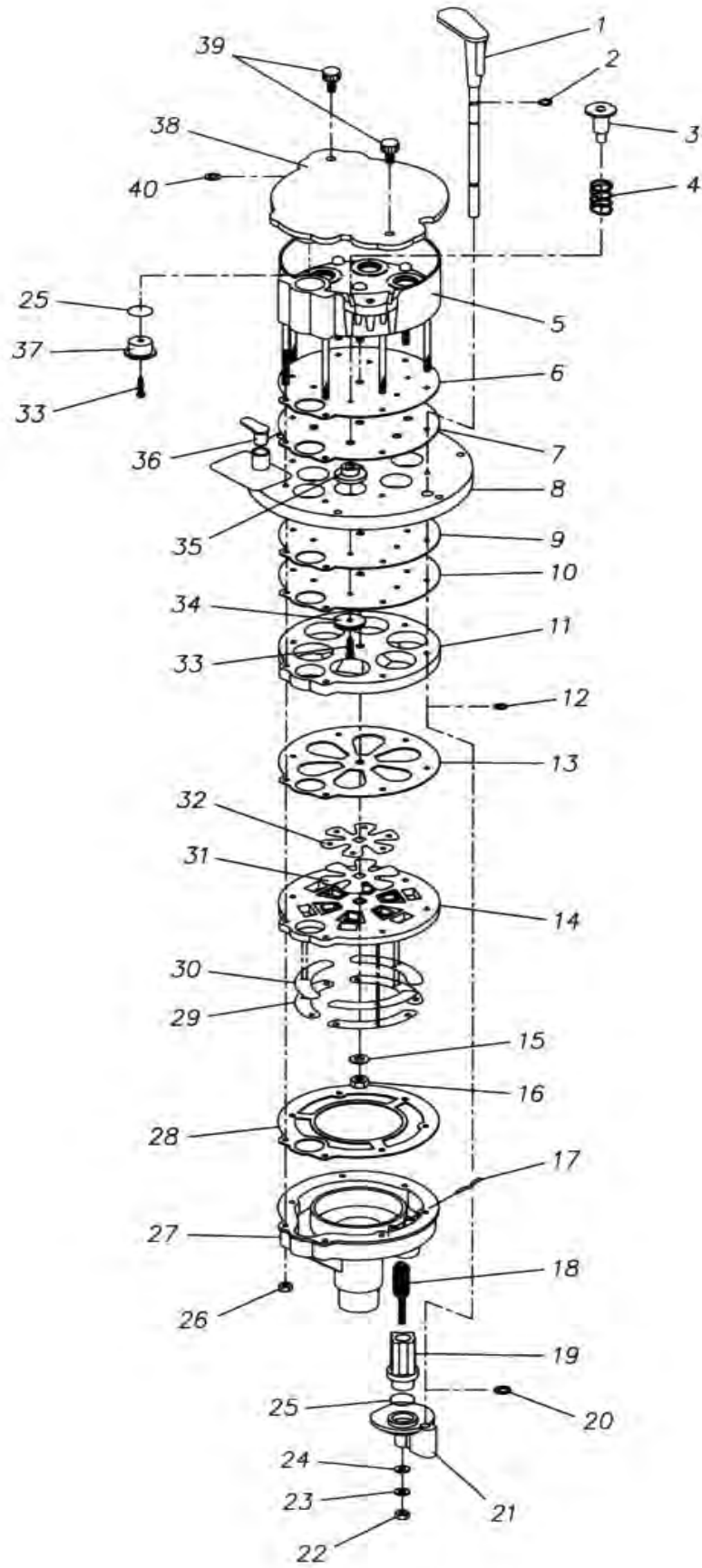
**Replacement parts available for all pumps and meters.**

# DD6 PUMP PARTS KITS



IA: 1-800-779-7979 NE: 1-800-445-9110 MO: 1-800-889-6161 KS: 1-800-445-9110 WI: 1-800-523-2350 MN: 1-800-525-7919  
MANVELL, ND: 1-800-582-4269 GARRISON, ND: 1-888-483-7669 SD: 1-800-995-1943

# DD6 PUMP PARTS



**D**

IA: 1-800-779-7979

NE: 1-800-445-9110

MO: 1-800-889-6161

KS: 1-800-445-9110

WI: 1-800-523-2350

MN: 1-800-525-7919

MANVELL, ND: 1-800-582-4269

GARRISON, ND: 1-888-483-7669

SD: 1-800-995-1943

## DD6 Pump Parts List

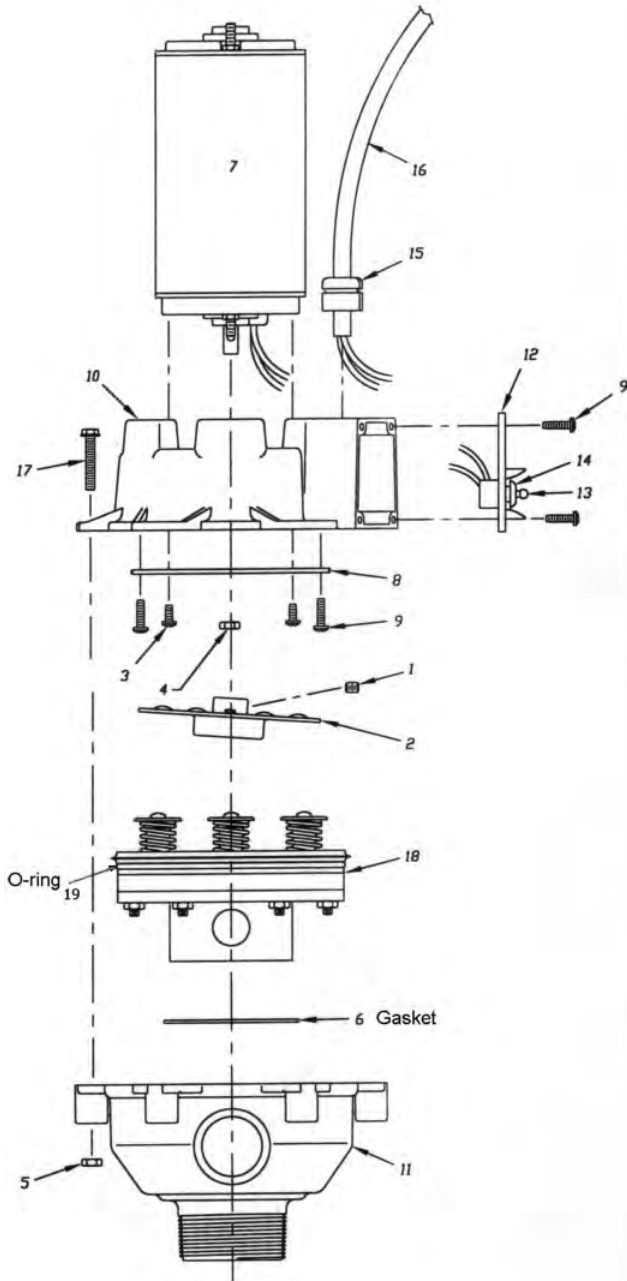
Item	Part Number	Qty.	Description	Order Part Numbers Below: Available As- (kit number or individual 'PART')
1	DD6P-38	1	Push Rod	KD-36
2	DD6P-38V	3	O-ring, Viton	KD-36; KD-17; DD6 KIT-01; DD6 KIT-03
3	DD6P-12	6	Piston	KD-35
4	DD6P-13	6	Piston Spring	KD-35; PART
5	DD6P-01	1	Top Housing	KD-45
6	DD6P-14	1	Dry Side Diaphragm, EPDM	KD-34
7	DD6P-15	1	Wet Side Diaphragm, EPDM	KD-34
8	DD6P-02	1	Adapter Plate	not available separately
9	DD6P-18	1	Dry Side Diaphragm, EPDM	KD-34
10	DD6P-19V	1	Wet Side Diaphragm, Viton	KD-34
11	DD6P-03	1	Cylinder Plate	PART
12	DD6P-38SS	1	SS Snap Ring	KD-36; KD-17; PART
13	DD6P-21	1	Inlet Gasket, EPDM	DD6 KIT-01; PART
14	DD6P-04	1	Valve Plate (less valves)	DD6 KIT-01; KD-16; PART
15	DD6P-09SS	1	SS Flat Washer	DD6 KIT-01; KD-45; KD-45Y
16	DD6P-10SS	1	SS Nut	DD6 KIT-01
17	DD6P-27	1	SS Retainer Pin	KD-07
18	DD6P-26	1	SS Spring & SS Screw	KD-07
19	DD6P-25	1	Bypass Cylinder	KD-07
20	DD6P-37SS	1	SS Snap Ring	DD6 KIT-01; DD6 KIT-03; KD-36; KD-17; KD-07
21	DD6P-36	1	Bypass Deflector	KD-07
22	DD6P-07SS	1	SS Ny-lock Nut	DD6 KIT-01; KD-07
23	DD6P-46W	1	SS Washer	KD-07; DD6 KIT-03
24	DD6P-26B	1	EPDM Washer	KD-06; KD-07
25	DD6P-42A	2	O-ring, Viton	KD-07; PART
26	NUT-02	7	SS Ny-lock Nut	KD-45; KD-45Y
27	DD6P-05	1	Bottom Housing	not available separate
28	DD6P-22	1	Outlet Gasket, EPDM	DD6 KIT-01; PART
29	DD6P-24	3	Valve	DD6 KIT-01; KD-16
30	DD6P-23	3	Valve	DD6 KIT-01; KD-16
31	DD6P-28	1	Valve	DD6 KIT-01; KD-16
32	DD6P-28A	1	Valve	DD6 KIT-01; KD-16
33	DD6P-17SS	7	SS Pan Head Screw	KD-06; KD-35
34	DD6P-20	6	Piston Back-up	KD-35
35	DD6P-16	6	Piston Cap	KD-35
36	DD6P-06A	1	Pump Vent Handle	DD6 KIT-03; KD-15
37	DD6P-29P	1	Plug, Rain Cover	KD-06
38	DD6P-29-01	1	Rain Cover	KD-06
39	DD6P-33N	2	Thumb Screw	KD-06
40	DD6P-32	2	Push Nut Bolt Retainer	KD-06
N/S	KD-16		Valve Plate Assy. items 14, 29-32	KD-16

D

IA: 1-800-779-7979    NE: 1-800-445-9110    MO: 1-800-889-6161    KS: 1-800-445-9110    WI: 1-800-523-2350    MN: 1-800-525-7919  
 MANVELL, ND: 1-800-582-4269    GARRISON, ND: 1-888-483-7669    SD: 1-800-995-1943

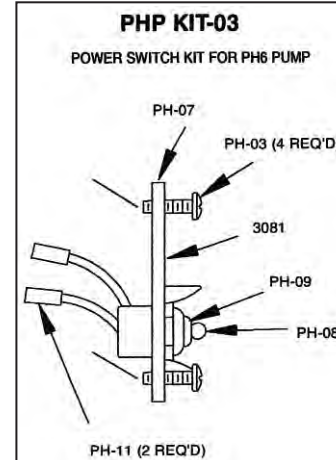
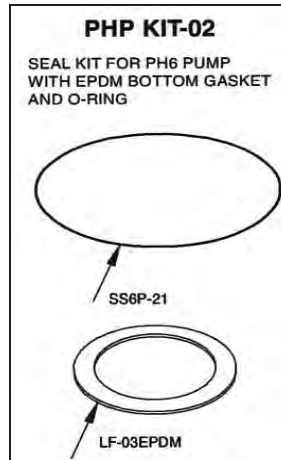
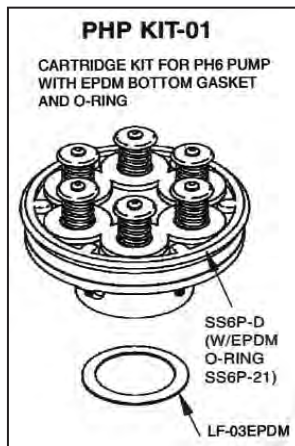
# PH6 Panther Pump Parts

**D**



Item	Part No.	Qty. Req.	Description	Order Part Numbers Below: Available As-
1	CP-47	1	Set Screw 1/4-20 x 1/4	PH6M-01
2	WP-01ASSY	1	Motor Drive Plate Assy.	WP-01ASSY
3	EP-11	2	Screw 10/32 x 3/8 Rnd. Head	PH6M-01
4	DD6P-07SS	2	Lock Nut 10/32 SS/Nylon	PH6M-01
5	NUT-30	6	Lock Nut 10-24 ZN/Nylon	PH6M-01
6	LF-03 EPDM	1	Bottom Gasket 1/16 EPDM	PHP KIT-01, PHP KIT-02
7	PH-01	1	12 volt Mamco Motor (PH6)	PH6M-01
8	PH-02	1	Mount Plate, Motor	PH6M-01
9	PH-03	7	Screw #10 x 5/8 SS	PHP KIT-03
10	PH-04	1	Motor Housing, Polypropylene	PH-04
11	PH-05	1	Pump Housing, Polypropylene	PH6 KIT-01
12	PH-07	1	Juntion Box Cover	PHP KIT-03
13	PH-08	1	Micro Switch, Toggle	PHP KIT-03
14	PH-09	1	Boot, Toggle Switch	PHP KIT-03
15	PH-14	1	Cord Bushing	PH6M-01
16	PHA-04	1	Cable Assy. 20' (PH6)	PH6M-01
17	SCREW-53	6	Screw 10-24 x 1-1/4 SS	PH6M-01
18	SS6P-D	1	Pump Cartridge (PH6)	PHP KIT-01
19	SS6P-21	1	O-ring EPDM	PHP KIT-01, PHP KIT-02

NOTE: Some individual parts are available in kits listed ONLY (see column labeled "Available As-").



IA: 1-800-779-7979    NE: 1-800-445-9110    MO: 1-800-889-6161    KS: 1-800-445-9110    WI: 1-800-523-2350    MN: 1-800-525-7919  
 MANVELL, ND: 1-800-582-4269    GARRISON, ND: 1-888-483-7669    SD: 1-800-995-1943



## SHURflo® Mini-bulk Transfer Systems

### SF-1100 pump features:

- Highly efficient design delivers increased flow with viscous micro encapsulated or suspended chemicals,
- High flow rate while pumping viscous chemicals, in combination with free flowing return loop, provides substantially increased turnover rate on recirculation models.
- Shurflo proprietary designed co-molded diaphragm molecular bonds the pump piston to the diaphragm in the molding process. The result is an inherently leak proof diaphragm capable of years of trouble-free service.
- The highly efficient design utilizes a Shurflo-built 3" diameter permanent magnet motor for more performance with less weight and without more cost.
- The SF-1100 is field serviceable without special tools.

### FM-1100 meter features:

- Highly accurate nutating disk design.
- Large LCD display makes meter reading easy from a distance on pump mounted systems.
- Simple calibration steps and control button layout.
- Long-life lithium batteries.
- Easy-to-service electronics and batteries.
- Available in both pump-mounted and hose-end configurations.



### SF-1100-REC features:

- 12-volt pump system which can be mounted to any tank with a 9-inch threaded opening.
- Includes SF-1100 transfer pump, 20 ft. cable, alligator battery clips & inline fuse.
- FM-1100i inline electronic flow meter.
- 1" x 12 ft. chemical discharge hose with ball valve & spout.
- 3-way valve, tubing and fittings to allow tank recirculation.



Part Number	Description	Price (Net)
<b>SF-1100</b>	12-volt pump only	<b>\$297.06</b>
<b>FM-1100</b>	Electronic flow meter, pump mounting	<b>\$193.18</b>
<b>FM-1100i</b>	Inline electronic flow meter	<b>\$193.18</b>
<b>SF-1100-REC-DT</b>	Complete pumping system w/ 28" diptube	<b>\$756.58</b>

## AG Runner™ Caddy System



The Shurflo AG Runner™ system is ready to take anywhere. It is portable, flexible and extremely versatile when using multiple containers. The entire system is mounted in a sturdy, easy-to-carry, welded frame.

**SF-1100-PTS** pump system comes with the FM-1100 pump-mounted flow meter. *Price\_\_ \$621.44 (Net)*

**SF-1100-PTSi** pump system comes with the FM-1100i inline flow meter. *Price\_\_ \$621.44 (Net)*

### Features include:

- SF-1100 Chemical transfer pump with 12-volt motor, 20 ft. cable, alligator battery clips and inline fuse.
- FM-1100 or FM-1100i electronic flow meter.
- 1" x 12 ft. chemical discharge hose with valve & spout.
- 1" x 12 ft. suction hose with elbow/ball valve/fitting assy. with locking cam arms.



## Hand Operated Drum Pumps

*Easy Action Pumps* for containers from 5 gallons to 55 gallon drums. A unique pumping principle allows high-volume, low-pressure delivery of highly-viscous or thick-flowing fluids. Compatible with a wide range of chemicals and lubricants. Pumps have a swivel nozzle to minimize spillage and a safety strap to prevent access by children. Polypropylene construction for durability. No wearable parts in pump. 12 month warranty on defects/ 24 month service warranty.

Part Number	Description	Price
<b>BEZ20050</b>	Pump for 25-55 gallon drums	<b>\$82.50</b>

IA: 1-800-779-7979

NE: 1-800-445-9110

MO: 1-800-889-6161

KS: 1-800-445-9110

WI: 1-800-523-2350

MN: 1-800-525-7919

MANVELL, ND: 1-800-582-4269

GARRISON, ND: 1-888-483-7669

SD: 1-800-995-1943